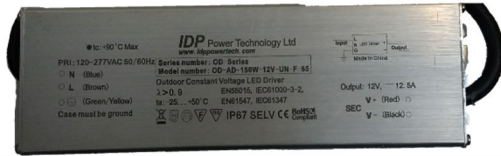


# 150W 12V/24V Outdoor Constant Voltage LED driver

## Product Offering



**Order part number:**

**OD-AD-150W-12V-UN-F-20**

**OD-AD-150W-24V-UN-F-20**

## Product Description:

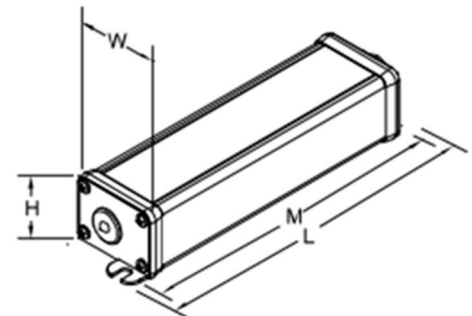
- Constant Current + Constant voltage output
- Active power factor control
- Universal input voltage range
- Full potting with robust housing (IP67 rating)

## Feature:

- High efficiency; PF > 0.9
- Reinforced insulation from input and output
- Cooling by free air convection
- Fully protected: Short circuit, input voltage surge, overvoltage protection, over-temperature protection

## Technical Data

Rated supply voltage, AC	220-240 Vac, 50/60Hz
AC Voltage range, AC	100-264 Vac, 50/60Hz
Survive input range (for 30mins)	170-305 Vac, 50/60Hz
Rated current @230Vac	<0.9A
Leakage current @240Vac	<0.5mA@240Vac
Max. input power	170W
Typ. efficiency (at 230V 50Hz, full load)	Typ. 90%
Inrush current	<80A (T-width @100µs)
Typ. λ (at 230 V 50Hz, Full load)	>0.9
Typ. λ (at 230 V 50Hz, Min. load)	>0.9
Output rated power	15W
Ambient temperature ta	-15 ... +60 °C
Max. Casing temperature tc	90 °C
Size (mm)	228x68x39
Weight	765g



Primary Cable			Secondary Cable	
L	N	FG	+V	-V
brown	blue	Green/ yellow	red	black

## Standard comply

EN55015; EN61000-3-2; EN61000-3-3; EN61547;  
EN61347-1; EN61347-2-13; SELV

## Specific Technical Data

Order Part number	Max. output current	Constant output voltage <sup>(1)</sup>	Constant current region <sup>(1)</sup>	Ripple voltage
OD-AD-150W-12V-UN-F-65	12500mA	12Vdc	6 - 12Vdc	<150mV
OD-AD-150W-24V-UN-F-65	6250mA	24Vdc	12-24Vdc	<150mV

**Remark:** (1) For detail specification, please refer to the "Technical Information".

**Notes:**

- Specifications may vary without notice
- Always consult local electrical codes
- Parameters are measured at rated output, rated load and at an ambient temperature of 25°C
- Expect slight variation including component tolerance, setup tolerance, line regulation and load regulation.
- Power supplies should always be stress tested and tested for EMC within specific fixture
- Where grounding/earthing is not indicated, avoid grounding/earthing or contact with grounded/earthed metal enclosures
- Performance with dimmers, where supported, may vary depending on dimmer model