

LED LIGHTING

CATALOGUE

VER. 01



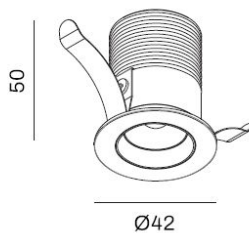
DOWNLIGHTS


BLACK HOLE series is a range of product which has black ring design. These products are widely used in commercial and hospitality area.

Litesyn
Your Luminaire craftsman

BLACK HOLE/SPOT LIGHT/FIXED

Model: RR-DL3357



↻ Cutout: 35mm
 5-25mm

Feature:

- MINI Size
- Black Ring
- Low UGR

Technical data:


- Light source COB or others
- LED Power (max) 5.4W (150mA, 36V)
- System Power (ref.) 7W (ref. only depends on the ECG)
- Lumen flux (typ.) 500lm
- Colour temperature 2700K, 3000K, 4000K
- Colour rendering index Ra \geq 90
- MacAdam Step 3
- Beam Angle 20D, 40D PMMA Lens
- Tilttable No
- Ingress protection IP21
- Operation temperature 0-40C
- Protection Class III
- LED Life time 50,000h L70B10
- Finishing White/Black
- Baffle Finishing Black
- Construction Aluminum
- Installation Ceiling Recessed, Spring type
- Dimension 42mm(OD)x50mm(H)/Cutout 35mm
- LED Driver Remote
- Trimless version No

Electronic control gear

NON-DIM/Dimmable

 MP series

1-10V/0-10V/DALI

 SC series

Other brand is available upon request

*Use IDP multi-power LED Driver can trim down the output power according to actual application.

Light Distribution For 3000K

medium 20°

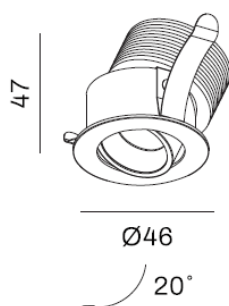
wide 36°

h(m)	E(lx)	ø(m)	h(m)	E(lx)	ø(m)
1	1985	ø0.35	1	835.0	ø0.63
2	496.3	ø0.70	2	208.7	ø1.27
3	220.6	ø1.06	3	92.77	ø1.91
4	124.1	ø1.41	4	52.19	ø2.55
5	79.41	ø1.77	5	33.40	ø3.19

The specification is subject to change without note.

BLACK HOLE/SPOT DOWNLIGHT/TILTABLE

Model: RR-DL3358



👁️ Cutout: 40mm

🔧 5-25mm

Feature:

- Compact size
- Black Ring
- Low UGR

Technical data:

▪ Light source	COB or others
▪ LED Power (max)	5.4W (150mA, 36V)
▪ System Power (ref.)	7W (ref. only depends on the ECG)
▪ Lumen flux (typ.)	500lm
▪ Colour temperature	2700K, 3000K, 4000K
▪ Colour rendering index	Ra≥90
▪ MacAdam Step	3
▪ Beam Angle	20D PMMA Lens
▪ Tilttable	Yes
▪ Ingress protection	IP21
▪ Operation temperature	0-40C
▪ Protection Class	III
▪ LED Life time	50,000h L70B10
▪ Finishing	White/Black
▪ Baffle Finishing	Black
▪ Construction	Aluminum
▪ Installation	Ceiling Recessed, Spring type
▪ Dimension	46mm(OD)x47mm(H)/Cutout 40mm
▪ LED Driver	Remote
▪ Trimless	No

Electronic control gear

NON-DIM/Dimmable

IDP MP series

1-10V/0-10V/DALI

IDP SC series

Other brand is available upon request

*Use IDP multi-power LED Driver can trim down the output power according to actual application.

Light Distribution For 2700K spot 20,4°

h(m)	E(lx)	ø(m)
1	1494	ø0.36
2	373.5	ø0.72
3	166.0	ø1.08
4	93.38	ø1.44
5	59.76	ø1.80

The specification is subject to change without note.

BLACK HOLE/SPOT LIGHT/TILTABLE/SNOOT

Model: RR-DL3526



Feature:

- Compact size
- Compact snoot
- Low UGR

Technical data:

▪ Light source	COB or others
▪ LED Power (max)	5.4W (150mA, 36V)
▪ System Power (ref.)	7W (ref. only depends on the ECG)
▪ Lumen flux (typ.)	500lm
▪ Colour temperature	2700K, 3000K, 4000K
▪ Colour rendering index	Ra \geq 90
▪ MacAdam Step	3
▪ Beam Angle	20D PMMA Lens
▪ Tilttable	Yes
▪ Ingress protection	IP21
▪ Operation temperature	0-40C
▪ Protection Class	III
▪ LED Life time	50,000h L70B10
▪ Finishing	White/Black
▪ Baffle finishing	Black
▪ Construction	Aluminum
▪ Installation	Ceiling Recessed, Spring type
▪ Dimension	70mm(OD)x52mm(H)/Cutout 60mm
▪ LED Driver	remote
▪ Trimless version	No

Electronic control gear

NON-DIM/Dimmable

IDP MP series

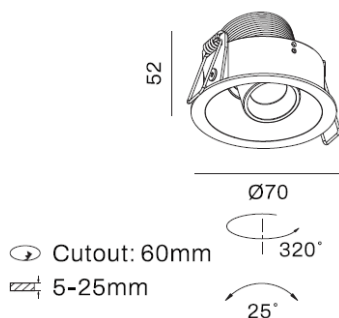
1-10V/0-10V/DALI

IDP SC series

Other brand is available upon request

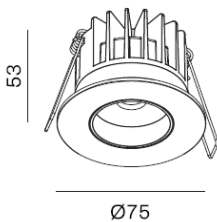
*Use IDP multi-power LED Driver can trim down the output power according to actual application.

The specification is subject to change without note.



BLACK HOLE/SPOT LIGHT/FIXED

Model: RR-DL3061



↻ Cutout: 65mm

≡ 5-25mm

Feature:

- Compact size
- Simple
- Low UGR

Technical data:

▪ Light source	COB or others
▪ LED Power (max)	9W (250mA, 36V)
▪ System Power (ref.)	11W <small>(ref. only depends on the ECG)</small>
▪ Lumen flux (typ.)	800lm
▪ Colour temperature	2700K, 3000K, 4000K
▪ Colour rendering index	Ra≥90
▪ MacAdam Step	3
▪ Beam Angle	20D, 36D, 50D PMMA Lens
▪ Tilttable	Yes
▪ Ingress protection	IP54
▪ Operation temperature	0-40C
▪ Protection Class	III
▪ LED Life time	50,000h L70B10
▪ Finishing	White/Black
▪ Baffle finishing	Black
▪ Construction	Aluminum
▪ Installation	Ceiling Recessed, Spring type
▪ Dimension	75mm(OD)x53mm(H)/Cutout 65mm
▪ LED Driver	Remote
▪ Trimless version	No

Electronic control gear

NON-DIM/Dimmable

IDP MP series

1-10V/0-10V/DALI

IDP SC series

Other brand is available upon request

*Use IDP multi-power LED Driver can trim down the output power according to actual application.

****The specification is subject to change without note.****

BLACK HOLE/SPOT LIGHT/TILTABLE

Model: RR-DL3060



Feature:

- Compact size
- Simple
- Low UGR

Technical data:

▪ Light source	COB or others
▪ LED Power (max)	9W (250mA, 36V)
▪ System Power (ref.)	11W <small>(ref. only depends on the ECG)</small>
▪ Lumen flux (typ.)	800lm
▪ Colour temperature	2700K, 3000K, 4000K
▪ Colour rendering index	Ra \geq 90
▪ MacAdam Step	3
▪ Beam Angle	20D, 36D, 50D PMMA Lens
▪ Tilttable	Yes
▪ Ingress protection	IP54
▪ Operation temperature	0-40C
▪ Protection Class	III
▪ LED Life time	50,000h L70B10
▪ Finishing	White/Black
▪ Baffle finishing	Black
▪ Construction	Aluminum
▪ Installation	Ceiling Recessed, Spring type
▪ Dimension	85mm(OD)x53mm(H)/Cutout 75mm
▪ LED Driver	Remote
▪ Trimless version	No

Electronic control gear

NON-DIM/Dimmable

IDP MP series

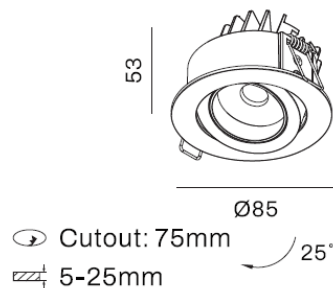
1-10V/0-10V/DALI

IDP SC series

Other brand is available upon request

*Use IDP multi-power LED Driver can trim down the output power according to actual application.

****The specification is subject to change without note.****



BLACK HOLE/SPOT LIGHT/TILTABLE/SNOOT

Model: RR-DL3382



Feature:

- Compact size
- Compact snoot
- Low UGR

Technical data:

- | | |
|--------------------------|---|
| ▪ Light source | COB or others |
| ▪ LED Power (max) | 9W (250mA, 36V) |
| ▪ System Power (ref.) | 11W <small>(ref. only depends on the ECG)</small> |
| ▪ Lumen flux (typ.) | 800lm |
| ▪ Colour temperature | 2700K, 3000K, 4000K |
| ▪ Colour rendering index | Ra≥90 |
| ▪ MacAdam Step | 3 |
| ▪ Beam Angle | 15D, 24D, 36D, 50D PMMA Lens |
| ▪ Tilttable | Yes |
| ▪ Ingress protection | IP21 |
| ▪ Operation temperature | 0-40C |
| ▪ Protection Class | III |
| ▪ LED Life time | 50,000h L70B10 |
| ▪ Finishing | White/Black |
| ▪ Baffle finishing | Black |
| ▪ Construction | Aluminum |
| ▪ Installation | Ceiling Recessed, Spring type |
| ▪ Dimension | 92mm(OD)x76mm(H)/Cutout 82mm |
| ▪ LED Driver | Remote |
| ▪ Trimless versin | Yes, please contact us in detail |

Electronic control gear

NON-DIM/Dimmable

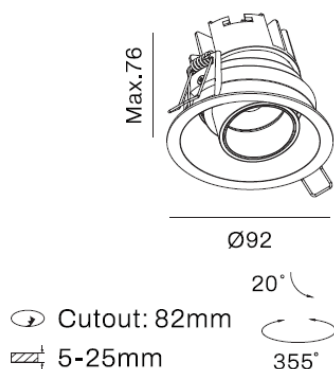
IDP MP series

1-10V/0-10V/DALI

IDP SC series

Other brand is available upon request

****The specification is subject to change without note.****



BLACK HOLE/SPOT DOWNLIGHT/TILTABLE

Model: RR-DL3562



Feature:

- Compact size
- Semi Recessed with adjustable spot light
- Low UGR

Technical data:

- Light source COB or others
- LED Power (max) 7.2W (200mA, 36V)
- System Power (ref.) 9W (ref. only depends on the ECG)
- Lumen flux (typ.) 700lm
- Colour temperature 2700K, 3000K, 4000K
- Colour rendering index Ra \geq 90
- MacAdam Step 3
- Beam Angle 15D, 24D, 36D PMMA Lens
- Tiltable Yes
- Ingress protection IP21
- Operation temperature 0-40C
- Protection Class III
- LED Life time 50,000h L70B10
- Finishing White/Black
- Baffle finishing Black
- Construction Aluminum
- Installation Ceiling Recessed, spring type
- Dimension 48mm(OD)x90mm(H)/Cutout 92mm
- LED Driver Remote
- Trimless vesrion Yes, please contact us in detail

Electronic control gear

NON-DIM/Dimmable

IDP MP series

1-10V/0-10V/DALI

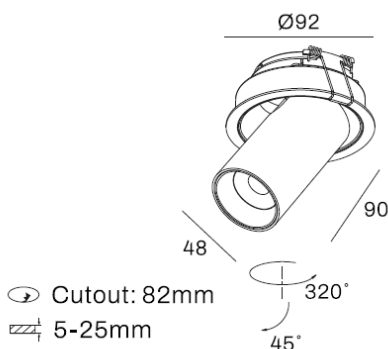
IDP SC series

Other brand is available upon request

*Use IDP multi-power LED Driver can trim down the output power according to actual application.

Light Distribution For 3000K wide 40.5°

h(m)	E(lx)	ø(m)
1	1247	ø0.74
2	311.6	ø1.48
3	138.5	ø2.21
4	77.91	ø2.95
5	49.86	ø3.69



****The specification is subject to change without note.****