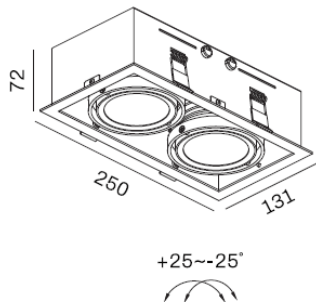




## SQUARE/SPOT LIGHT/JUMBO/BOX/TWIN HEADS/TILTABLE

**Model: SR-DL3259**



 Cutout: 240x122mm

 5-25mm

### Feature:

- TWIN heads square grilled downlight
- Gimble tilt 25 degree
- Reflector type

### Technical data:


- |                          |  |
|--------------------------|--|
| ▪ Light source           | COB or others                          |
| ▪ LED Power (max)        | 18W x 2 (500mA x 2, 36V)               |
| ▪ System Power (ref.)    | 21W x 2 (ref. only depends on the ECG) |
| ▪ Lumen flux (typ.)      | 3700lm                                 |
| ▪ Colour temperature     | 2700K, 3000K, 4000K                    |
| ▪ Colour rendering index | Ra $\geq$ 90                           |
| ▪ MacAdam Step           | 3                                      |
| ▪ Beam Angle             | 15D, 24D, 36D Reflector                |
| ▪ Tilttable              | Yes                                    |
| ▪ Ingress protection     | IP21                                   |
| ▪ Operation temperature  | 0-40C                                  |
| ▪ Protection Class       | III                                    |
| ▪ LED Life time          | 50,000h L70B10                         |
| ▪ Finishing              | White/Black                            |
| ▪ Construction           | Aluminum                               |
| ▪ Installation           | Ceiling Recessed, spring type          |
| ▪ Dimension              | 250x131mmx72mm(H)/Cutout<br>240x122mm  |
| ▪ LED Driver             | Remote                                 |
| ▪ Trimless version       | No                                     |

### Electronic control gear

NON-DIM/Dimmable

 MP series

1-10V/0-10V/DALI

 SC series

Other brand is available upon request

\*Use IDP multi-power LED Driver can trim down the output power according to actual application.

**\*\*Accessories (optional): Honeycomb, diffuser\*\***

**\*\*The specification is subject to change without note.\*\***