

## SIMPLE/SPOT LIGHT/SQUARE/TILTABLE

**Model: SR-DL3139**



### Feature:

- LED power up to 25W.
- Tiltable with Square shape
- Low UGR

### Technical data:

- Light source COB or others
- LED Power (max) 25.2W (700mA, 36V)
- System Power (ref.) 30W (ref. only depends on the ECG)
- Lumen flux (typ.) 2500lm
- Colour temperature 2700K, 3000K, 4000K
- Colour rendering index Ra $\geq$ 90
- MacAdam Step 3
- Beam Angle 24D, 38D Reflector
- Tiltable Yes
- Ingress protection IP54
- Operation temperature 0-40C
- Protection Class III
- LED Life time 50,000h L70B10
- Finishing White/Black
- Construction Aluminum
- Installation Ceiling Recessed, Spring type
- Dimension 165x165mmx77mm(H)/Cutout 150x150mm
- LED Driver Remote
- Trimless version No

### Electronic control gear

NON-DIM/Dimmable **IDP** MP series

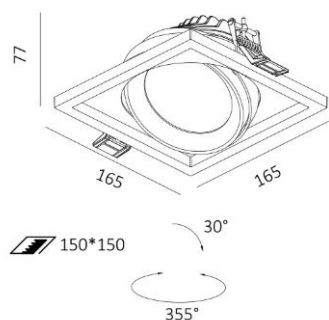
1-10V/0-10V/DALI **IDP** SC series

Other brand is available upon request

\*Use IDP multi-power LED Driver can trim down the output power according to actual application.

### LIGHT DISTRIBUTION for 3000K medium 36°

h(m)	E(lx)	Ø(m)
1	4420	Ø0.65
2	1105	Ø1.31
3	491.1	Ø1.96
4	276.2	Ø2.62
5	176.8	Ø3.28



**\*\*The specification is subject to change without note.\*\***