

## SPOT/CYLINDAR/SLIM/SURFACE MOUNT/ROUND BASE

**Model: SU-DL3049**



### Feature:

- Surface Mount cylinder spot light
- 355 degree rotate and 90 degree tilt
- Interchangeable baffle

### Technical data:

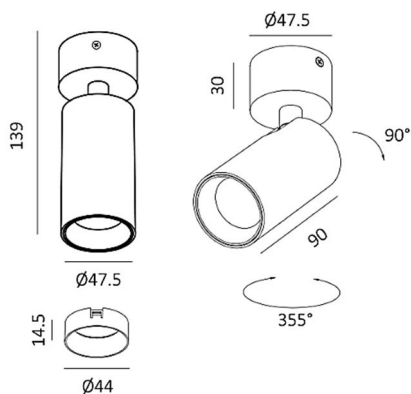
- |                          |  |
|--------------------------|--|
| ▪ Light source           | AC COB                                     |
| ▪ LED Power (max)        | NA   |
| ▪ System Power (ref.)    | 220Vac, 10W (ref. only depends on the ECG) |
| ▪ Lumen flux (typ.)      | 600lm                                      |
| ▪ Colour temperature     | 2700K, 3000K, 4000K                        |
| ▪ Colour rendering index | Ra≥90                                      |
| ▪ MacAdam Step           | 3  |
| ▪ Beam Angle             | 20D, 40D, 60D Reflector                    |
| ▪ Tilttable              | Yes  |
| ▪ Ingress protection     | IP21                                       |
| ▪ Operation temperature  | 0-40C                                      |
| ▪ Protection Class       | III  |
| ▪ LED Life time          | 50,000h L70B10                             |
| ▪ Finishing              | White/Black                                |
| ▪ Baffle Finishing       | White/Black/silver grey/sand brass         |
| ▪ Construction           | Aluminum                                   |
| ▪ Installation           | Surface mount                              |
| ▪ Dimension              | 47.5mm(OD)x139mm(H)                        |
| ▪ LED Driver             | NA   |
| ▪ Trimless version       | No   |

### Electronic control gear

NO ECG need

Light Distribution For 3000K  
medium 23°

h(m)	E(lx)	ø(m)
1	1660	ø0.39
2	415.1	ø0.79
3	184.5	ø1.19
4	103.8	ø1.59
5	66.41	ø1.98



**\*\*The specification is subject to change without note.\*\***

**\*\*ECG version is available per request\*\***