

SIMPLE/SPOT LIGHT/SQUARE/TWIN HEADS/TILTABLE

Model: SR-DL3143



Feature:

- LED power up to 50W.
- Tilttable with twin heads
- Low UGR

Technical data:

- | | |
|--------------------------|---------------------------------------|
| ▪ Light source | COB or others |
| ▪ LED Power (max) | 25.2Wx2 (700mAx2, 36V) |
| ▪ System Power (ref.) | 30Wx2 (ref. only depends on the ECG) |
| ▪ Lumen flux (typ.) | 5000lm |
| ▪ Colour temperature | 2700K, 3000K, 4000K |
| ▪ Colour rendering index | Ra≥90 |
| ▪ MacAdam Step | 3 |
| ▪ Beam Angle | 24D, 38D Reflector |
| ▪ Tilttable | Yes |
| ▪ Ingress protection | IP54 |
| ▪ Operation temperature | 0-40C |
| ▪ Protection Class | III |
| ▪ LED Life time | 50,000h L70B10 |
| ▪ Finishing | White/Black |
| ▪ Construction | Aluminum |
| ▪ Installation | Ceiling Recessed, Spring type |
| ▪ Dimension | 331x165mmx77mm(H)/Cutout
315x150mm |
| ▪ LED Driver | Remote |
| ▪ Trimless version | No |

Electronic control gear

NON-DIM/Dimmable

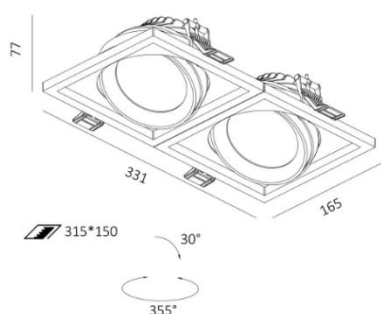
IDP MP series

1-10V/0-10V/DALI

IDP SC series

Other brand is available upon request

*Use IDP multi-power LED Driver can trim down the output power according to actual application.



LIGHT DISTRIBUTION for 3000K medium 36°

h(m)	E(lx)	Ø(m)
1	5514	Ø0.79
2	1879	Ø1.72
3	706	Ø2.58
4	315	Ø3.39
5	182	Ø4.28

The specification is subject to change without note.