

LED LIGHTING

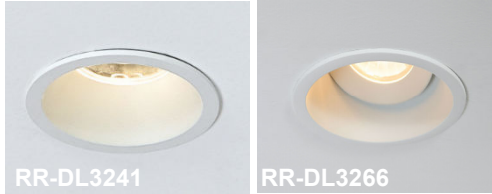
CATALOGUE

VER. 01



RR-DL3437

RR-DL3438



RR-DL3241

RR-DL3266



SR-DL3210

SR-DL3211



RR-DL3299

SR-DL3209

DOWNLIGHTS

ROUND DEEP series is a range of product which has very low UGR design. They can make the people to enjoy the comfortable light.

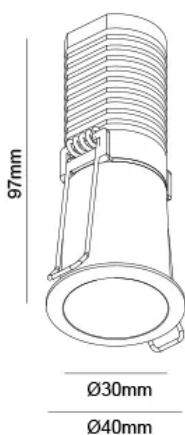
Litesyn
Your Luminaire craftsman

ROUND DEEP/SPOT LIGHT/FIXED/MICRO

Model: RR-DL3437



35mm



Feature:

- Deep recessed
- Compact design
- High quality PMMA lens in different beam angles

Technical data:

- Light source COB Chip or others
- LED Power (max) 6.5W (180mA, 36V)
- System Power (ref.) 8W (ref. only depends on the ECG)
- Lumen flux (typ.) 600lm
- Colour temperature 2700K, 3000K, 4000K
- Colour rendering index $Ra \geq 90$
- MacAdam step 3
- Beam Angle 22D, 40D PMMA lens
- Tilttable No
- Ingress protection IP44
- Operation temperature 0-40C
- Protection Class III
- LED Life time 50,000h L70B10
- Finishing White RAL9016/Black RAL9005
- Construction Aluminum, Polycarbonate
- Installation Ceiling Recessed, spring type
- Dimension 30mm(OD)x67mm(H)/Cutout 35mm
- LED Driver Remote
- Trimless version Yes, Please check with sale in detail

Electronic control gear

NON-DIM/Dimmable

IDP MP series

Other brand is available upon request

*Use IDP multi-power LED Driver can trim down the output power according to actual application.

Light Distribution For 3000K

spot 16.5°

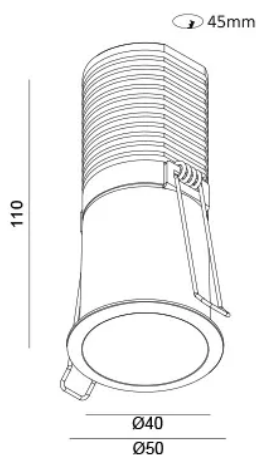
medium 33.2°

h(m)	E(lx)	ø(m)	h(m)	E(lx)	ø(m)
1	2645	ø0.29	1	1985	ø0.35
2	661.2	ø0.58	2	496.3	ø0.70
3	293.9	ø0.87	3	220.6	ø1.06
4	165.3	ø1.16	4	124.1	ø1.41
5	105.8	ø1.45	5	79.41	ø1.77

****The specification is subject to change without note.****

ROUND DEEP/SPOT LIGHT/FIXED/MICRO

Model: RR-DL3438



Feature:

- Deep recessed
- Compact design
- High quality PMMA lens in different beam angles

Technical data:

- Light source COB Chip, Cree or others
- LED Power (max) 9W (250mA, 36V)
- System Power (ref.) 11W (ref. only depends on the ECG)
- Lumen flux (typ.) 750lm
- Colour temperature 2700K, 3000K, 4000K
- Colour rendering index Ra \geq 90
- MacAdam step 3
- Beam Angle 17D, 24D, 36D PMMA lens
- Tilttable No
- Ingress protection IP44
- Operation temperature 0-40C
- Protection Class III
- LED Life time 50,000h L70B10
- Finishing White RAL9016/Black RAL9005
- Construction Aluminum, Polycarbonate
- Installation Ceiling Recessed, spring type
- Dimension 50mm(OD)x110mm(H)/Cutout 45mm
- LED Driver Remote
- Trimless version Yes, Please check with sale in detail

Electronic control gear

NON-DIM/Dimmable

IDP MP series

Other brand is available upon request

*Use IDP multi-power LED Driver can trim down the output power according to actual application.

Light Distribution For 3000K

medium 20.8°

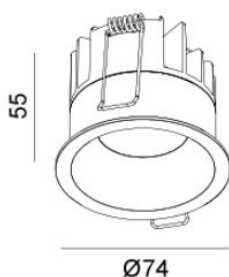
wide 36°

h(m)	E(lx)	ø(m)	h(m)	E(lx)	ø(m)
1	2357	ø0.37	1	2120	ø0.65
2	589.2	ø0.74	2	530.0	ø1.30
3	261.9	ø1.10	3	235.5	ø1.95
4	147.3	ø1.47	4	132.5	ø2.60
5	94.28	ø1.84	5	84.80	ø3.25

****The specification is subject to change without note.****

ROUND DEEP/SPOT DOWNLIGHT/FIXED

Model: RR-DL3241



➤ Cutout: 68mm

⚙️ 5-25mm

Feature:

- Deep recessed
- Compact design
- High quality PMMA lens in different beam angles

Technical data:

- Light source COB Chip, Cree or others
- LED Power (max) 9W (250mA, 36V)
- System Power (ref.) 11W (ref. only depends on the ECG)
- Lumen flux (typ.) 800lm @10W
- Colour temperature 2700K, 3000K, 4000K
- Colour rendering index Ra \geq 90
- MacAdam step 3
- Beam Angle 24D, 36D, 45D PMMA lens
- Tilttable No
- Ingress protection IP44
- Operation temperature 0-40C
- Protection Class III
- LED Life time 50,000h L70B10
- Finishing White RAL9016/Black RAL9005
- Construction Aluminum, Polycarbonate
- Installation Ceiling Recessed, spring type
- Dimension 74mm(OD)x55mm(H)/Cutout 68mm
- LED Driver Remote
- Trimless version Yes, Please check with sale in detail

Electronic control gear

NON-DIM/Dimmable

IDP MP series

1-10V/0-10V/DALI

IDP SC series

Other brand is available upon request

*Use IDP multi-power LED Driver can trim down the output power according to actual application.

LIGHT DISTRIBUTION for 3000K medium 36°

h(m)	E(lx)	Ø(m)
1	1218	Ø0.65
2	304.6	Ø1.30
3	135.4	Ø1.95
4	76.15	Ø2.60
5	48.74	Ø3.25

Photometric 3000K 36D Ra.90

****The specification is subject to change without note.****

ROUND DEEP/SPOT LIGHT/TILTABLE

Model: RR-DL3266



Feature:

- Deep recessed and tiltable
- Compact design
- High quality PMMA lens in different beam angles

Technical data:

- Light source COB Chip, Citizen or others
- LED Power (max.) 9W (250mA, 36V)
- Lumen flux (typ.) 700lm
- Colour temperature 2700K, 3000K, 4000K
- Colour rendering index Ra \geq 90
- MacAdam Step 3
- Beam Angle 24D, 36D, 45D PMMA lens
- Tilttable Yes
- Ingress protection IP44
- Operation temperature 0-40C
- Protection Class III
- LED Life time 50,000h L70B10
- Finishing White RAL9016/Black RAL9005
- Construction Aluminum, Polycarbonate
- Installation Ceiling Recessed, spring type
- Dimension 92mm(OD)x68mm(H)/Cutout 82mm
- LED Driver Remote
- Trimless version Yes, Please check with sale in detail

Electronic control gear

NON-DIM/Dimmable

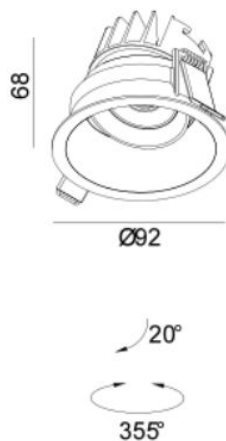
IDP MP series

1-10V/0-10V/DALI

IDP SC series

Other brand is available upon request

*Use IDP multi-power LED Driver can trim down the output power according to actual application.



⊕ Cutout:82mm

▨ 5-25mm

LIGHT DISTRIBUTION for 3000K medium 36°

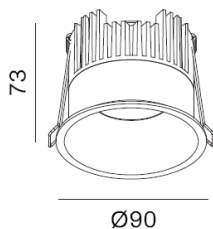
h(m)	E(lx)	Ø(m)
1	1218	Ø0.65
2	304.6	Ø1.30
3	135.4	Ø1.95
4	76.15	Ø2.60
5	48.74	Ø3.25

Photometric 3000K 36D Ra.90

****The specification is subject to change without note.****

ROUND DEEP/SPOT LIGHT/FIXED

Model: RR-DL3299



➤ Cutout: 82mm

▨ 5-25mm

Feature:

- Deep recessed
- Compact design
- High quality PMMA lens in different beam angles

Technical data:

- Light source COB Chip, Cree or others
- LED Power (max) 12.6W (350mA, 36V)
- System Power (ref.) 15W (ref. only depends on the ECG)
- Lumen flux (typ.) 1050lm
- Colour temperature 2700K, 3000K, 4000K
- Colour rendering index Ra \geq 90
- MacAdam step 3
- Beam Angle 24D, 36D, 45D PMMA lens
- Tiltable No
- Ingress protection IP44
- Operation temperature 0-40C
- Protection Class III
- LED Life time 50,000h L70B10
- Finishing White RAL9016/Black RAL9005
- Construction Aluminum, Polycarbonate
- Installation Ceiling Recessed, spring type
- Dimension 90mm(OD)x73mm(H)/Cutout 82mm
- LED Driver Remote
- Trimless Version No

Electronic control gear

NON-DIM/Dimmable

IDP MP series

1-10V/0-10V/DALI

IDP SC series

Other brand is available upon request

*Use IDP multi-power LED Driver can trim down the output power according to actual application.

Light Distribution For 3000K

medium 28°

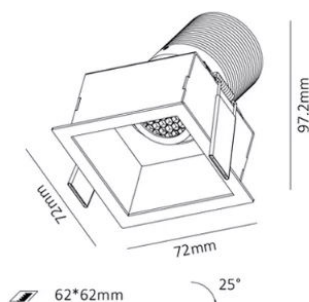
wide 56°

h(m)	E(lx)	ø(m)	h(m)	E(lx)	ø(m)
1	1807	ø0.50	1	1353	ø1.06
2	451.7	ø1.00	2	338.2	ø2.13
3	200.8	ø1.51	3	150.3	ø3.20
4	112.9	ø2.01	4	84.55	ø4.27
5	72.27	ø2.51	5	54.11	ø5.33

****The specification is subject to change without note.****

ROUND DEEP/SPOT LIGHT/TILTABLE

Model: SR-DL3210



Feature:

- Deep square recessed
- Compact design
- High quality reflector in different beam angles

Technical data:

- Light source COB Chip, Citizen or others
- LED Power (max) 7.2W (200mA, 36V)
- System Power (ref.) 9W (ref. only depends on the ECG)
- Lumen flux (typ.) 500lm @2700K
- Colour temperature 2700K, 3000K, 4000K
- Colour rendering index Ra \geq 90
- MacAdam Step 3
- Beam Angle 15D, 24D, 36D Relector
- Tilttable Yes
- Ingress protection IP20
- Operation temperature 0-40C
- Protection Class III
- LED Life time 50,000h L70B10
- Finishing White RAL9016/Black RAL9005
- Construction Aluminum, Polycarbonate
- Installation Ceiling Recessed, spring type
- Dimension 72mmx72mmx97.2mm(H)/Cutout 62x62mm
- LED Driver Remote
- Trimless version Yes, Please check with sale in detail

Electronic control gear

NON-DIM/Dimmable

IDP MP series

1-10V/0-10V/DALI

IDP SC series

Other brand is available upon request

*Use IDP multi-power LED Driver can trim down the output power according to actual application.

Light Distribution For 3000K wide 37°

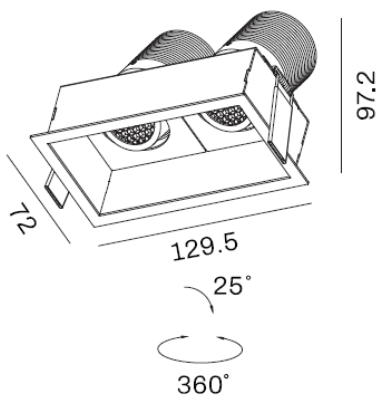
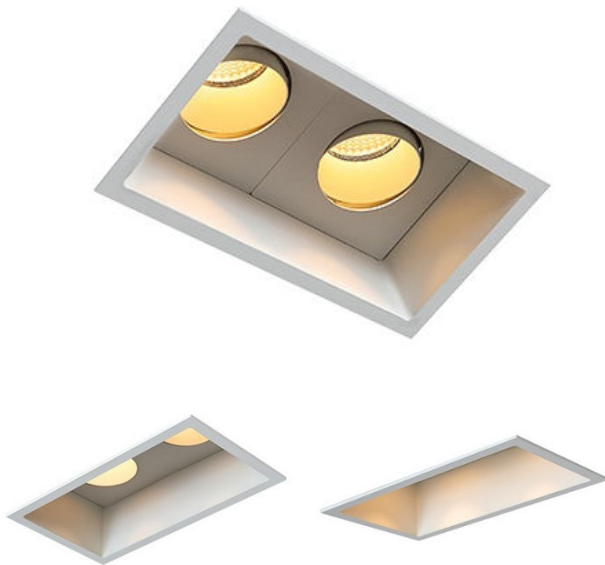
h(m)	E(lx)	ø(m)
1	959.3	ø0.66
2	239.8	ø1.33
3	106.6	ø2.00
4	59.95	ø2.66
5	38.37	ø3.33

**** Accessories: Honeycomb Louvre (optional)****

****The specification is subject to change without note.****

ROUND DEEP/SPOT LIGHT/TWIN HEADS/TILTABLE

Model: RR-DL3211



Cutout: 120x62mm

5-25mm

Feature:

- Deep square recessed
- Twin heads and front removeable
- High quality reflector in different beam angles

Technical data:

- Light source COB Chip, Citizen or others
- LED Power (max.) 14.4W (2x200mA, 36V)
- System Power (ref.) 18W (ref. only depends on the ECG)
- Lumen flux (typ.) 1000lm @2700K
- Colour temperature 2700K, 3000K, 4000K
- Colour rendering index Ra \geq 90
- MacAdam Step 3
- Beam Angle 15D, 24D, 36D Reflector
- Tilttable Yes
- Ingress protection IP20
- Operation temperature 0-40C
- Protection Class III
- Finishing White RAL9016/Black RAL9005
- Construction Aluminum, Polycarbonate
- Installation Ceiling Recessed, spring type
- Dimension 130mmx72mmx97.2mm(H)/Cutout 120x62mm
- LED Driver Remote
- Trimless version Yes, Please check with sale in detail

Electronic control gear

NON-DIM/Dimmable

MP series

1-10V/0-10V/DALI

SC series

Other brand is available upon request

*Use IDP multi-power LED Driver can trim down the output power according to actual application.

Light Distribution For 3000K wide 37°

h(m)	E(lx)	ø(m)
1	1835	ø0.65
2	458.9	ø1.31
3	203.9	ø1.96
4	114.7	ø2.26
5	73.42	ø3.27


**** Accessories: Honeycomb Louvre (optional)****

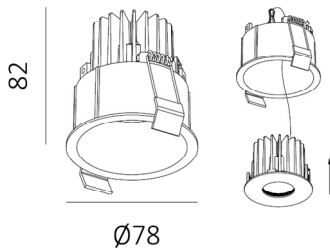
****The specification is subject to change without note.****

ROUND DEEP/ SPOT LIGHT/FIXED

Model: RR-DL3209



Cutout: 70mm  5-25mm



Feature:

- Deep recessed
- Front removeable
- High quality reflector in different beam angles

Technical data:


- | | |
|--------------------------|---------------------------------------|
| ▪ Light source | COB Chip, Citizen or others |
| ▪ LED Power (max.) | 7.2W (200mA, 36V) |
| ▪ System Power (ref.) | 9W (ref. only depends on the ECG) |
| ▪ Lumen flux (typ.) | 600lm |
| ▪ Colour temperature | 2700K, 3000K, 4000K |
| ▪ Colour rendering index | Ra≥90 |
| ▪ MacAdamstep | 3 |
| ▪ Beam Angle | 15D, 24D, 36D reflector |
| ▪ Tilttable | Yes |
| ▪ Ingress protection | IP20 |
| ▪ Operation temperature | 0-40C |
| ▪ Protection Class | III |
| ▪ Finishing | White RAL9016/Black RAL9005 |
| ▪ Construction | Aluminum, Polycarbonate |
| ▪ Installation | Ceiling Recessed, spring type |
| ▪ Dimension | 78mm(OD)x82mm(H)/Cutout 70mm |
| ▪ LED Driver | Remote |
| ▪ Trimless version | Yes, Please check with sale in detail |

Electronic control gear

NON-DIM/Dimmable

 MP series

1-10V/0-10V/DALI

 SC series

Other brand is available upon request

*Use IDP multi-power LED Driver can trim down the output power according to actual application.

**** Accessories: Honeycomb Louvre (optional)****

****The specification is subject to change without note.****