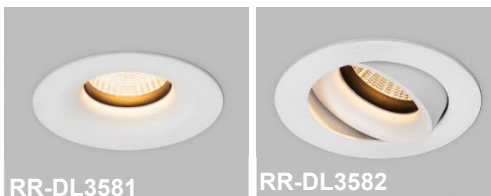


LED LIGHTING

CATALOGUE

VER. 01



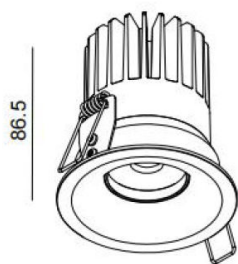
DOWNLIGHTS

CURVE series is a range of product which has stylish arc and simplicity appearance. They are widely used in the interior lighting to create an inspiring ambiance

Litesyn
Your Luminaire craftsman

CURVE/SPOT DOWNLIGHT/ANTI-GLARE

Model: RR-DL3540



75mm
5-25mm

Feature:

- Compact Design
- Stylish Arc appearance
- Anti-glare design

Technical data:

| | |
|--------------------------|---------------------------------------|
| ▪ Light source | Citizen COB or others |
| ▪ LED Power (max) | 12.6W (350mA, 36V) |
| ▪ System Power (ref.) | 15W (ref. only depends on the ECG) |
| ▪ Lumen flux (typ.) | 1000lm @3000K, Ra 90 |
| ▪ Colour temperature | 2700K, 3000K, 4000K |
| ▪ Colour rendering index | Ra \geq 90 |
| ▪ MacAdam Step | 3 |
| ▪ Beam Angle | 24D, 36D PMMA Lens |
| ▪ Tilttable | No |
| ▪ Ingress protection | IP54 |
| ▪ Operation temperature | 0-40C |
| ▪ Protection Class | III |
| ▪ LED Life time | 50,000h L70B10 |
| ▪ Finishing | White RAL9003/Black RAL9005 |
| ▪ Construction | Aluminum |
| ▪ Installation | Ceiling Recessed, spring type |
| ▪ Dimension | 82mm(OD) x 86.5mm(H)/cutout 82mm |
| ▪ LED Driver | Remote |
| ▪ Trimless version | Yes, Please check with sale in detail |

Electronic control gear

NON-DIM/Dimmable **IDP** MP series

1-10V/0-10V/DALI **IDP** SC series

Other brand is available upon request

*Use IDP multi-power LED Driver can trim down the output power according to actual application

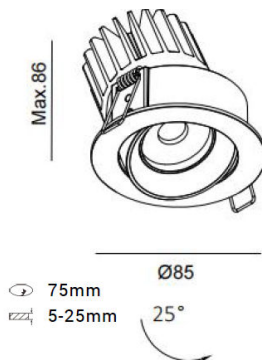
LED output power table (used IDP MP18 Electronic control gear)

| | |
|----------------------|--------------|
| Drive current @150mA | 5.4W (ref.) |
| Drive current @200mA | 7.2W (ref.) |
| Drive current @250mA | 9.0W (ref.) |
| Drive current @300mA | 10.8W (ref.) |
| Drive current @350mA | 12.6W (ref.) |

****The specification is subject to change without note.****

CURVE/SPOT LIGHT/ANTI-GLARE/TILTABLE

Model: RR-DL3539



Feature:

- Compact Design
- Stylish Arc appearance
- Anti-glare design

Technical data:

| | |
|--------------------------|---------------------------------------|
| ▪ Light source | Citizen COB or others |
| ▪ LED Power (max.) | 12.6W (350mA, 36V) |
| ▪ System Power (ref.) | 15W (ref. only depends on the ECG) |
| ▪ Lumen flux (typ.) | 1000lm @3000K, Ra 90 |
| ▪ Colour temperature | 2700K, 3000K, 4000K |
| ▪ Colour rendering index | Ra \geq 90 |
| ▪ MacAdam Step | 3 MacAdam |
| ▪ Beam Angle | 24D, 36D PMMA Lens |
| ▪ Tilttable | Yes |
| ▪ Ingress protection | IP54 |
| ▪ Operation temperature | 0-40C |
| ▪ Protection Class | III |
| ▪ LED Life time | 50,000h L70B10 |
| ▪ Finishing | White RAL9003/Black RAL9005 |
| ▪ Construction | Aluminum |
| ▪ Installation | Ceiling Recessed, spring type |
| ▪ Dimension | 85mm(OD)x86mm(H)/cutout75mm |
| ▪ LED Driver | Remote |
| ▪ Trimless version | Yes, Please check with sale in detail |

Electronic control gear

| | |
|------------------|---------------------------------------|
| NON-DIM/Dimmable | IDP MP series |
| 1-10V/0-10V/DALI | IDP SC series |
| | Other brand is available upon request |

*Use IDP multi-power LED Driver can trim down the output power according to actual application.

LED output power table (used IDP MP18 Electronic control gear)

| | |
|----------------------|--------------|
| Drive current @150mA | 5.4W (ref.) |
| Drive current @200mA | 7.2W (ref.) |
| Drive current @250mA | 9.0W (ref.) |
| Drive current @300mA | 10.8W (ref.) |
| Drive current @350mA | 12.6W (ref.) |

****The specification is subject to change without note.****

CURVE/SPOT LIGHT/DEEP/FIXED

Model: RR-DL3308



Feature:

- Deep recessed
- Compact design
- High quality PMMA lens in different beam angles

Technical data:

| | |
|--------------------------|------------------------------------|
| ▪ Light source | COB Chip, Citizen or others |
| ▪ LED Power (max.) | 12.6W (350mA @36V) |
| ▪ System Power (ref.) | 15W (ref. only depends on the ECG) |
| ▪ Lumen flux (typ.) | 1000lm |
| ▪ Colour temperature | 2700K, 3000K, 4000K |
| ▪ Colour rendering index | Ra≥90 |
| ▪ MacAdam Step | 3 MacAdam |
| ▪ Beam Angle | 15D, 24D, 60D PMMA lens |
| ▪ Tiltable | No |
| ▪ Ingress protection | IP20 |
| ▪ Operation temperature | 0-40C |
| ▪ Protection Class | III |
| ▪ LED Lifetime | 50,000h L70B10 |
| ▪ Finishing | White RAL9016/Black RAL9005 |
| ▪ Construction | Aluminum, Polycarbonate |
| ▪ Installation | Ceiling Recessed, spring type |
| ▪ Dimension | 90mm(OD)x73mm(H)/ cutout 82mm |
| ▪ LED Driver | Remote |
| ▪ Trimless version | No |

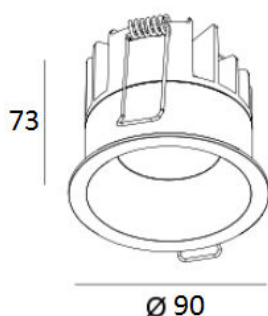
Electronic control gear

| | |
|------------------|---------------------------------------|
| NON-DIM/Dimmable | IDP MP series |
| 1-10V/0-10V/DALI | IDP SC series |
| | Other brand is available upon request |

*Use IDP multi-power LED Driver can trim down the output power according to actual application.

****Accessories: Honey comb****

****The specification is subject to change without note.****

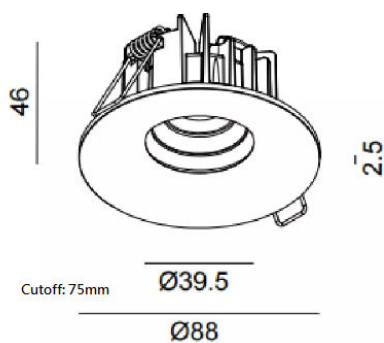


↪ Cutout:82 mm

↪ 5-25mm

CURVE/SPOT LIGHT/FIXED/ANTI-GLARE

Model: RR-DL3610



Feature:

- Compact Design
- Stylish Arc appearance
- Anti-glare design

Technical data:

- Light source Luminus COB or others
- LED Power (max) 7.2W (200mA, 36V)
- System Power (ref.) 9W (ref. only depends on the ECG)
- Lumen flux (typ.) 650lm
- Colour temperature 2700K, 3000K, 4000K
- Colour rendering index $Ra \geq 90$
- MacAdam Step 3
- Beam Angle 15D, 24D, 36D Reflector
- Tilttable No
- Ingress protection IP44
- Operation temperature 0-40C
- Protection Class III
- LED Lifetime 50,000h L70B10
- Finishing White RAL9003/Black RAL9005
- Construction Aluminum
- Installation Ceiling Recessed, spring type
- Dimension 88mm(OD)x46mm(H)/Cutout 75mm
- LED Driver Remote
- Trimless version Yes, Please check with sale in detail

Electronic control gear

NON-DIM/Dimmable **IDP** MP series

1-10V/0-10V/DALI **IDP** SC series

Other brand is available upon request

*Use IDP multi-power LED Driver can trim down the output power according to actual application.

LED output power table (used IDP MP18 Electronic control gear)

Drive current @150mA | 5.4W (ref.)

Drive current @200mA | 7.2W (ref.)

****The specification is subject to change without note.****

CURVE/SPOT LIGHT/TILTABLE/ANTI-GLARE

Model: RR-DL3611



Feature:

- Compact Design with 25D adjustable
- Stylish Arc appearance
- Anti-glare design

Technical data:

| | |
|--------------------------|-----------------------------------|
| ▪ Light source | Luminus COB or others |
| ▪ LED Power (max) | 7.2W (200mA, 36V) |
| ▪ System Power (ref.) | 9W (ref. only depends on the ECG) |
| ▪ Lumen flux (typ.) | 650lm |
| ▪ Colour temperature | 2700K, 3000K, 4000K |
| ▪ Colour rendering index | Ra \geq 90 |
| ▪ MacAdam Step | 3 |
| ▪ Beam Angle | 15D, 24D, 36D Reflector |
| ▪ Tilttable | Yes |
| ▪ Ingress protection | IP44 |
| ▪ Operation temperature | 0-40C |
| ▪ Protection Class | III |
| ▪ LED Lifetime | 50,000h L70B10 |
| ▪ Finishing | White RAL9003/Black RAL9005 |
| ▪ Construction | Aluminum |
| ▪ Installation | Ceiling Recessed, spring type |
| ▪ Dimension | 95mm(OD)x48mm(H)/cutout 83mm |
| ▪ LED Driver | Remote |
| ▪ Trimless version | No |

Electronic control gear

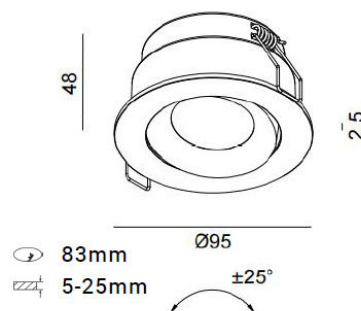
NON-DIM/Dimmable **IDP** MP series

1-10V/0-10V/DALI **IDP** SC series

Other brand is available upon request

LED output power table (used IDP MP18 Electronic control gear)

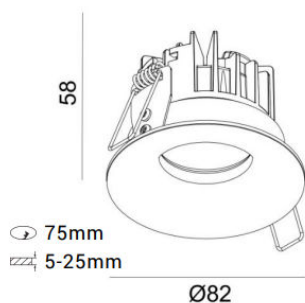
| | |
|----------------------|-------------|
| Drive current @150mA | 5.4W (ref.) |
| Drive current @200mA | 7.2W (ref.) |
| Drive current @250mA | 9.0W (ref.) |



****The specification is subject to change without note.****

CURVE/SPOT LIGHT/FIXED/ANTI-GLARE

Model: RR-DL3581



Feature:

- Anti-Glare
- Compact design
- Reflector in different beam angles

Technical data:

- Light source COB Chip, Citizen or others
- LED Power (max.) 9W (250mA@36V)
- System Power (ref.) 11W (ref. only depends on the ECG)
- Lumen flux (typ.) 700lm
- Colour temperature 2700K, 3000K, 4000K
- Colour rendering index $Ra \geq 90$
- MacAdam Step 3
- Beam Angle 24D, 45D, 60D Reflector
- Tilttable No
- Ingress protection IP54
- Operation temperature 0-40C
- Protection Class III
- LED Lifetime 50,000h L70B10
- Finishing White RAL9016/Black RAL9005
- Construction Aluminum, Polycarbonate
- Installation Ceiling Recessed, spring type
- Dimension 82mm(OD)x58mm(H)/Cutout 75mm
- LED Driver Remote
- Trimless version No

Electronic control gear

NON-DIM/Dimmable

IDP MP series

1-10V/0-10V/DALI

IDP SC series

Other brand is available upon request

*Use IDP multi-power LED Driver can trim down the output power according to actual application.

LIGHT DISTRIBUTION for 3000K

wide 57°

| h(m) | E(lx) | Ø(m) |
|------|-------|-------|
| 1 | 1002 | Ø0.67 |
| 2 | 250.6 | Ø1.35 |
| 3 | 111.4 | Ø2.02 |
| 4 | 62.65 | Ø2.70 |
| 5 | 40.10 | Ø3.37 |

****The specification is subject to change without note.****

CURVE/SPOT LIGHT/TILTABLE/ANTI-GLARE

Model: RR-DL3582



Feature:

- Anti-Glare
- Compact design
- Reflector in different beam angles

Technical data:

| | |
|--------------------------|---|
| ▪ Light source | COB Chip, Citizen or others |
| ▪ LED Power (max.) | 9W (250mA@36V) |
| ▪ System Power (ref.) | 11W <small>(ref. only depends on the ECG)</small> |
| ▪ Lumen flux (typ.) | 700lm |
| ▪ Colour temperature | 2700K, 3000K, 4000K |
| ▪ Colour rendering index | Ra \geq 90 |
| ▪ MacAdam Step | 3 |
| ▪ Beam Angle | 24D, 38D, 60D Reflector |
| ▪ Tiltable | Yes |
| ▪ Ingress protection | IP54 |
| ▪ Operation temperature | 0-40C |
| ▪ Protection Class | III |
| ▪ LED Lifetime | 50,000h L70B10 |
| ▪ Finishing | White RAL9016/Black RAL9005 |
| ▪ Construction | Aluminum, Polycarbonate |
| ▪ Installation | Ceiling Recessed, spring type |
| ▪ Dimension | 85mm(OD)x 60mm(H)/Cutout 75mm |
| ▪ LED Driver | Remote |
| ▪ Trimless version | No |

Electronic control gear

NON-DIM/Dimmable

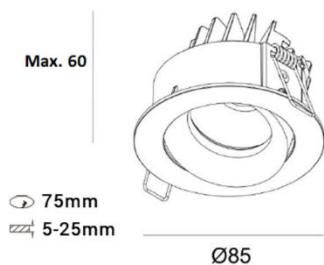
IDP MP series

1-10V/0-10V/DALI

IDP SC series

Other brand is available upon request

*Use IDP multi-power LED Driver can trim down the output power according to actual application.



LIGHT DISTRIBUTION for 3000K

wide 36.7°

| h(m) | E(lx) | Ø(m) |
|------|-------|-------|
| 1 | 1190 | Ø0.66 |
| 2 | 297.5 | Ø1.33 |
| 3 | 132.2 | Ø1.99 |
| 4 | 74.38 | Ø2.66 |
| 5 | 47.60 | Ø3.32 |



****The specification is subject to change without note.****